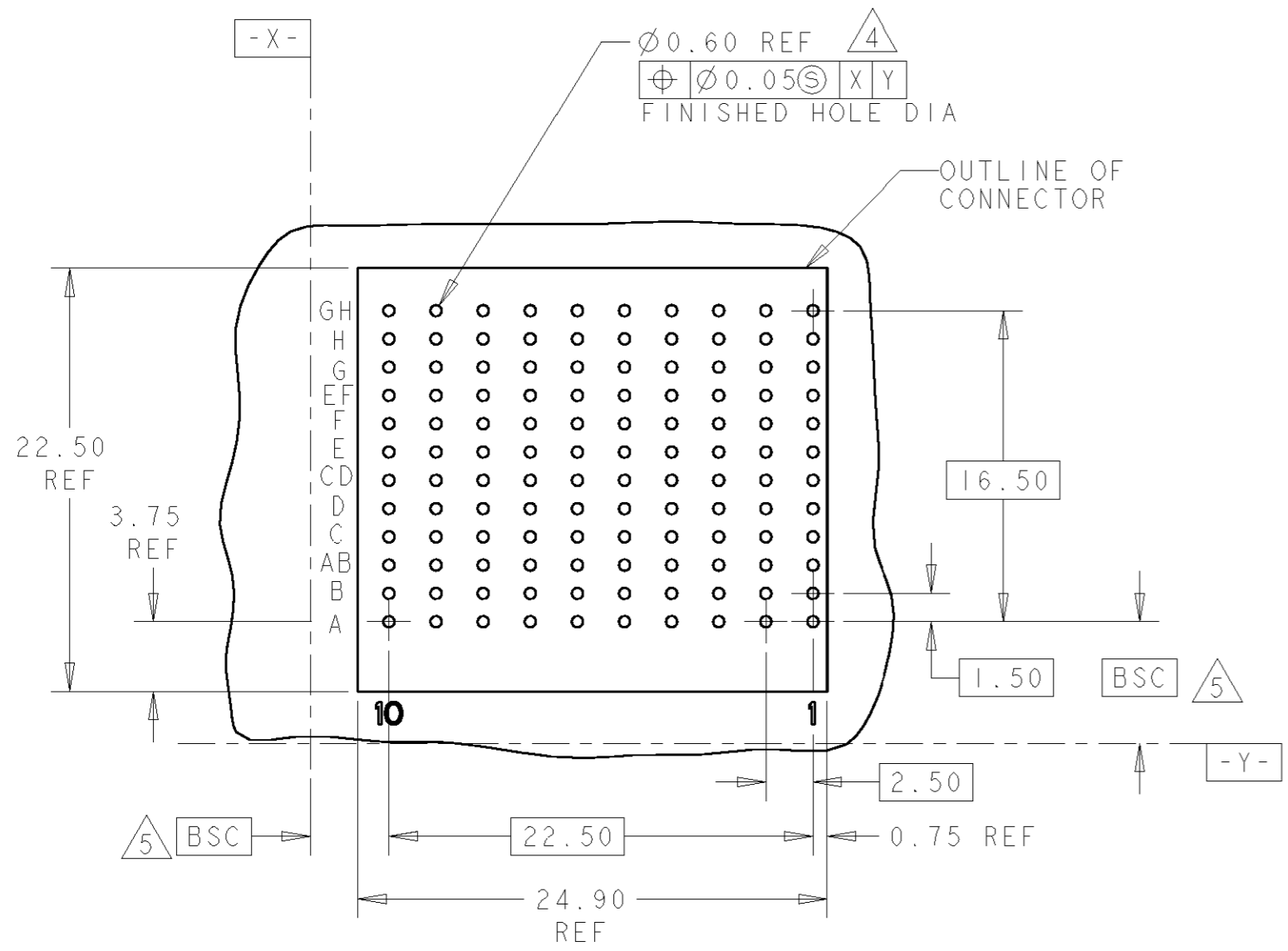
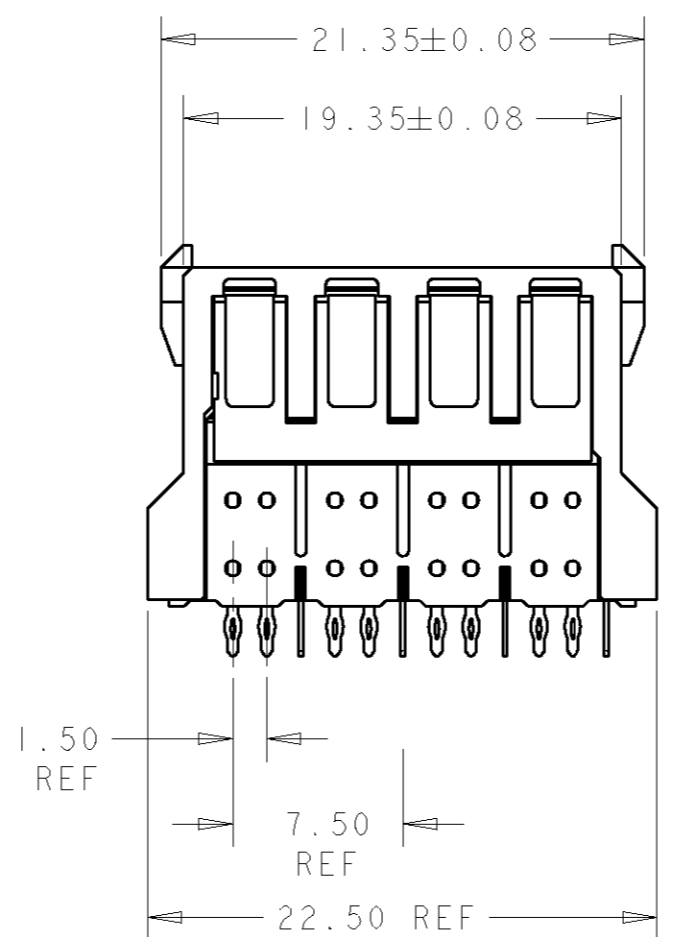
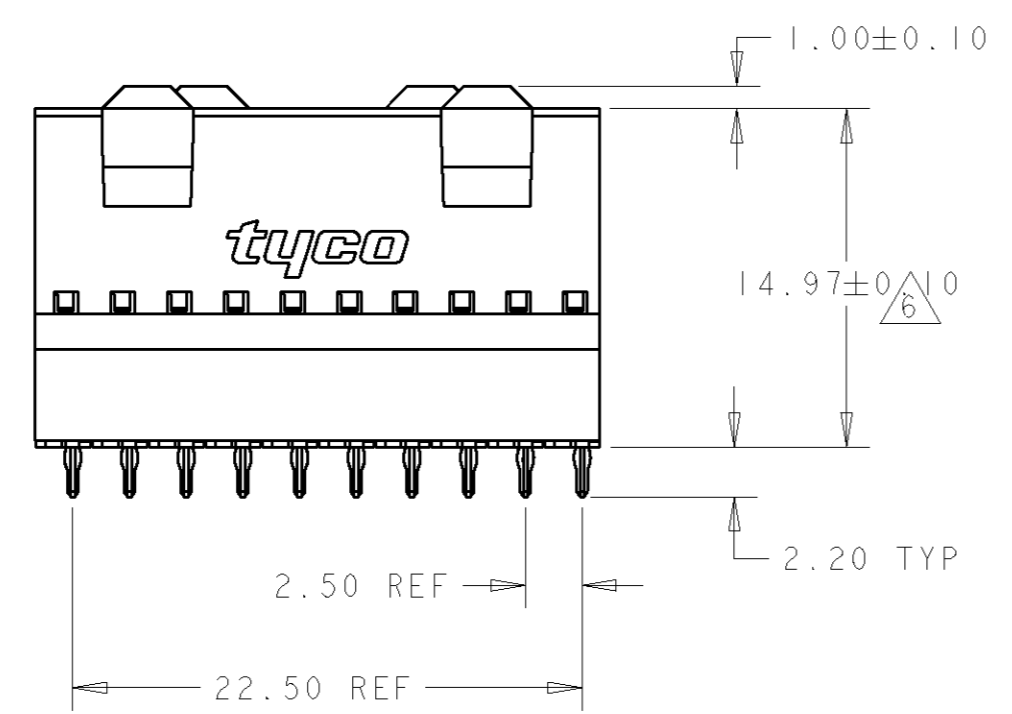
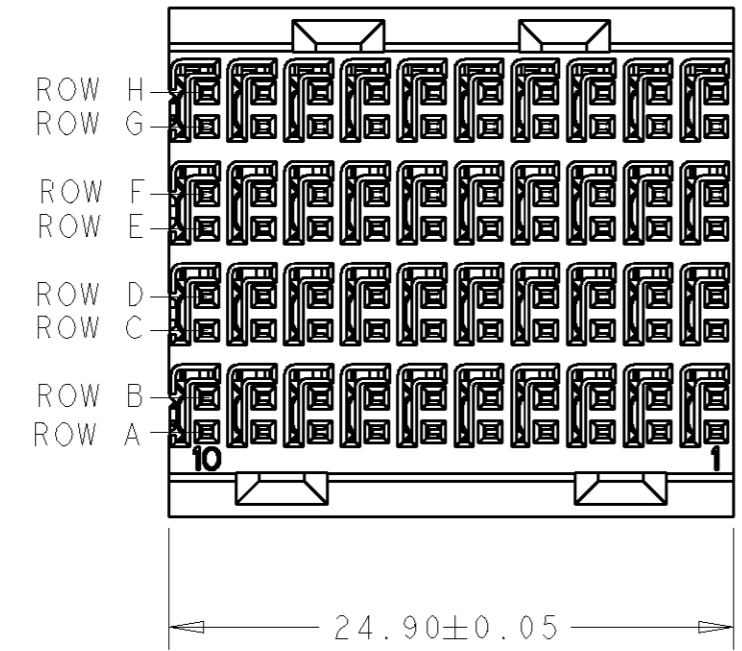
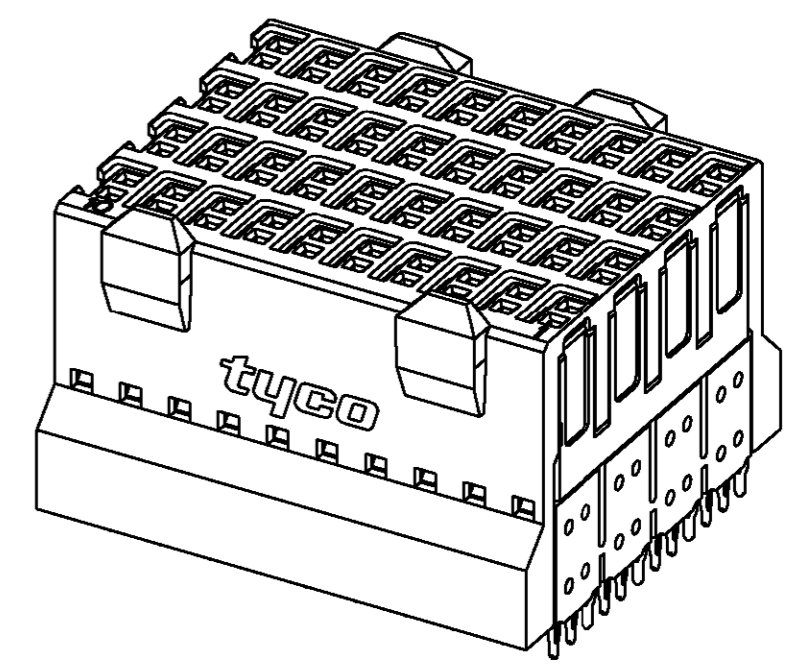


THIS DRAWING IS UNPUBLISHED. RELEASED FOR PUBLICATION 2000
 © COPYRIGHT 2000 BY TYCO ELECTRONICS CORPORATION. ALL RIGHTS RESERVED.

LOC	DIST	REVISIONS					
AD	00	P	LTR	DESCRIPTION	DATE	DWN	APVD
		0		REVISED PER OS12-0006-05	29APR2005	DS	DSS



- 1 MATERIAL:
SHIELD - PHOSPHOR BRONZE
CONTACT - COPPER-NICKEL-SILICON
HOUSING, CHICKLET AND CHICKLET COVER - GLASS FILLED POLYESTER
- 2 FINISH: CONTACT AND SHIELD
MATING AREA - 0.76µm MIN GOLD OVER
1.27µm MIN NICKEL
COMPLIANT PIN AREA - 0.5µm MIN TIN OVER
1.27µm MIN NICKEL
- 3. CONTACT AREA LUBRICATED WITH BELLCORE APPROVED LUBRICANT. TECHNICAL REFERENCE: GR-1217-CORE, ISSUE 1, NOVEMBER 1995.
- 4 REFERENCE APPLICATION SPEC 114-13059 FOR RECOMMENDED PLATED THRU HOLE DIAMETER AND PLATING THICKNESSES.
- 5 DATUMS AND BASIC DIMENSIONS ESTABLISHED BY CUSTOMER.
- 6 REFERENCE CONNECTOR HEIGHT OF 15mm
MATED STACK HEIGHT OF 18mm WHEN MATED TO HM-Zd VERTICAL HEADER.



1469362-1
PART NO.

THIS DRAWING IS A CONTROLLED DOCUMENT FOR TYCO ELECTRONICS CORPORATION. IT IS SUBJECT TO CHANGE AND THE CONTROLLING ENGINEERING ORGANIZATION SHOULD BE CONTACTED FOR THE LATEST REVISION.		DWN D. STAHL 30AUG2001	Tyco Electronics Harrisburg, PA 17105-3608	
DIMENSIONS: mm		CHK S. SZCZESNY 30AUG2001	NAME RECEPTACLE, 40 DIFFERENTIAL PAIRS Z-PACK, HM-Zd VERTICAL 18mm STACK HEIGHT	
TOLERANCES UNLESS OTHERWISE SPECIFIED: 0 PLC ± 1 PLC ± 2 PLC ± 3 PLC ± 4 PLC ± ANGLES ± FINISH		APVD -	SIZE A2	
MATERIAL		PRODUCT SPEC -	CAGE CODE 00779	
1		APPLICATION SPEC -	DRAWING NO 1469362	
2		WEIGHT -	RESTRICTED TO -	
CUSTOMER DRAWING		SCALE 3:1		SHEET 1 OF 1
		REV 0		